

EZYROLL

THE HEAVY DUTY JOCKEY WHEEL



Welcome to EzyRoll, manufacturers of the heavy duty swing-up jockey wheel.

With production and warehousing facilities in Asia and Australasia, EzyRoll is a high quality product suitable for use with all types of trailers.



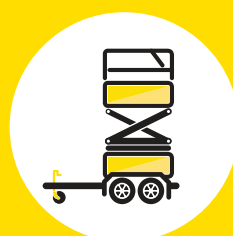
HORSE FLOAT



CARAVAN



LIGHTING TOWERS



ACCESS PLATFORMS



TRAILER MOUNTED



SMALL PLANT

Versatile Design For All Markets

Commercially, EzyRoll is an essential product choice for transportation trailers, moving small plant and materials such as access platforms, diggers and lighting towers. For the domestic market, the EzyRoll jockey wheel is used within the equestrian and leisure sectors commonly towing horse floats, caravans and boats.



BOAT

An efficient and affordable way to keep things moving.

Quality Manufacture

EzyRoll jockey wheels are made to exacting dimensions utilising the latest technology including robotic welding and CNC machining. All metal components are zinc plated to minimise corrosion and improve durability.

LOADED WITH FEATURES

EzyRoll jockey wheels are produced in 150mm and 200mm versions and are designed for ease of use, safety and longevity. All the components are highly durable and are engineered for 350kg or 425kg load capacities.



THE WHEEL - a solid rubber wheel with metal frame insert

The EzyRoll jockey wheel uniquely features a metal frame insert to which a high-density rubber compound is bonded and takes the load, giving strength to the wheel and preventing it from collapsing over time.

THE ROLLER THRUST BEARING

A strong 19mm buttress thread and thrust bearing takes the load of the up and down winding movement, reducing wear and tear when compared with traditional friction mechanisms.



THE FLIP-DOWN HANDLE

A non-fixed, full metal handle flips down and folds away when not in use, unlike traditional rigid handles that can get damaged easily.



THE RED INDICATOR

A red indicator shows when the wheel is in the locked position, providing a visual safety check for users.

THE GREASE NIPPLE

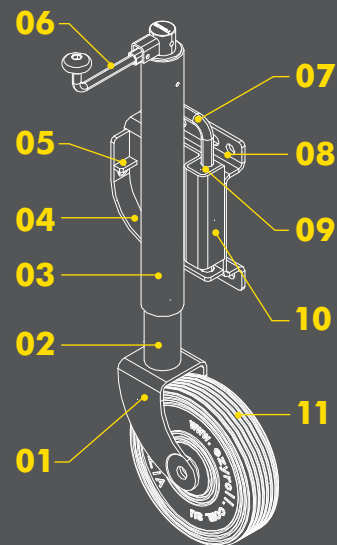
The grease nipple allows users to pump grease into the screw, keeping it lubricated for ease of use.

THE ROLL UP GUIDE MECHANISM AND VERTICAL PIN

The EzyRoll jockey wheel rotates and locks into position with a vertical bolt taking the load rather than pins which can become bent and damaged.



EZYROLL COMPONENTS



- 01 Wheel Yoke
- 02 Inner Tube
- 03 Outer Tube
- 04 Locking Pin Guide
- 05 Locking Pin Stop
- 06 Handle
- 07 Locking Pin
- 08 Base Plate
- 09 Pin Guides
- 10 Spring Housing
- 11 Wheel

EZYROLL AT YOUR SERVICE

- Easy to order - simply call, email or contact us through the website
- Stock available for immediate delivery
- Prompt and professional service
- Flexible delivery arrangements



EzyRoll Pty Ltd
PO Box 260
Hunters Hill
NSW 2110

T 02 8005 6960
M 04 3223 3428
E sales@ezyroll.com.au
www.ezyroll.com.au



THE HEAVY DUTY JOCKEY WHEEL